

CVE-LED Series

Polycarbonate traffic light with LED optics



Italian Government approval n. 30014 of the 24/03/2009 and CE certification EN12368:2015 obtained from a qualified laboratory.

GENERAL CHARACTERISTICS

The new energy saving technology has the following principal features:

- Improved visibility over the traditional bulbs and therefore improved safety for road transports
- Reduced consumption, up to 90% less than the traditional bulbs
- Longer lifetime. About 20 times longer than the traditional bulbs (10 years) > 100.000 hours
- Maintenance free
- Ease to install in place of the bulbs without replacing the whole signal head

CONSTRUCTION FEATURES

The CVE-LED signal head is a modular system of stackable elements Ø 210 mm and 300 mm.

Rapid insertion doors with two locking points that prevent it from accidentally fall. The doors can open/rotate 90°. The lenses are molded with the doors.

Quick insertion sun visor. Different locking positions allow the signal head to be mounted both horizontally and vertically. Brackets for modular supports for Ø 102 mm poles. They can be used with Band-It and, upon request, can be provided with adapters for flat surfaces.

Upon request, the signal head can be provided with holders for overhead poles or wires.

Waterproof electrical connections with a terminal box in the body of the signal head.

MATERIAL

Polycarbonate with an elevated mechanical strength, colored at the origin in paste, UV stabilised, autoextinguishing. Available in the standard colors: green, yellow and black. Upon request it can be produced in other colors, like gray, or in a combination of colors, like gray/black.

LED MODULES

Traffic lights LED module with 4 high luminosity and efficiency Rebel LEDs. The module is self contained and the housing has a protection degree IP55. It includes the electronic driver and a double lens: Fresnel lens to improve light beam directivity and external lens to stabilise the optics. The external lens can be colored in paste or have a neutral color.

The external lens is molded with the door of the signal head and the LED module can be lock screwed on it, making it easy to maintain or to insert arrows or other symbols.

Plastic masks with an anti-rotation system and all the symbols used in Italy are available, other can be produced upon request.

Variants:

The same traffic light is also available with E27 bulb holder, contact us for more information

ADVANTAGES

LEDs signal heads have several advantages over the traditional ones with incandescent bulbs. The main advantages are:

- Reduced costs, due to the reduced consumption and the absence of maintenance
- longer lifetime (about 10 years)
- Increased safety due to the reduced phantom effect
- Available with all the arrow and symbols used in Italy and different ones upon request



TECHNICAL FEATURES

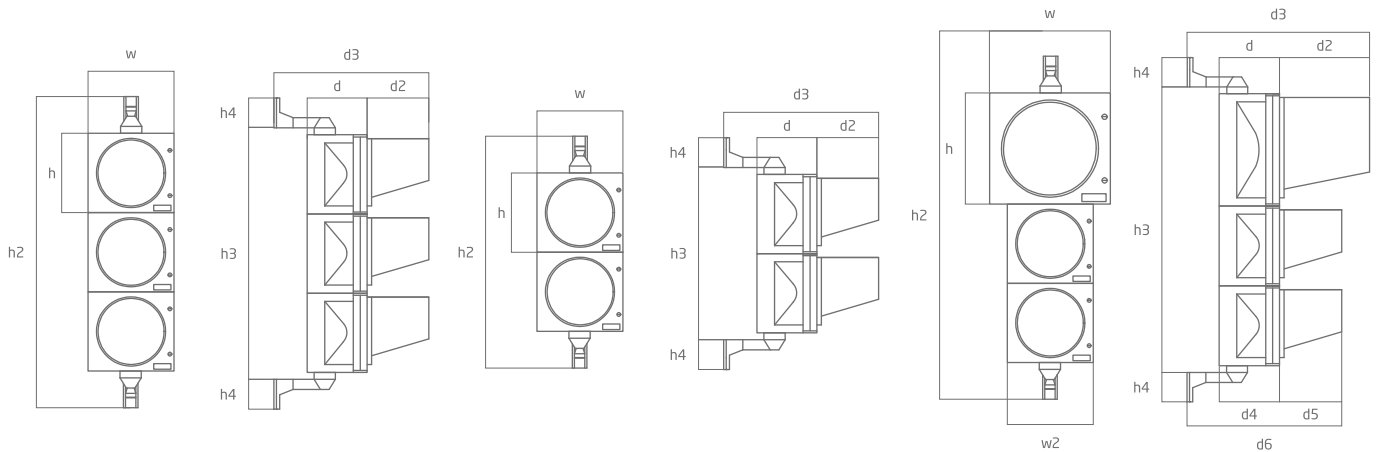
Material	Bayer® Makrolon® UV-stabilized polycarbonate
Impact Resistance	Acc.to EN60598-1 Class IR3 Acc. to EN12368:2015
IP rating	IP55 Acc. to EN60529 Class IV Acc. to EN12368:2015
Standard Colours	Black Green Gray Yellow Orange Other colours or combination front-backside available on request
Diameters	200mm 300mm 200mm and 300mm can be coupled
Optic	200mm and 300mm Starled2 Modules
Temperature range	-40°C +60°C Acc. to EN60068-2-1-14 Class A,B,C Acc. to EN12368:2015
Vibration resistance	Acc. to EN60068-2-64
Damp heat resistance	Acc. to EN60068-2-30
Signal light with symbol	Class S1
Background screen of signal light	Class C1, C2, C3, C4

ENERGY SAVING*

TRAFFIC SIGNAL HEAD	Ø 200 mm	yearly consumption	Ø 300 mm	yearly consumption
Consumption with incandenscent lamps	70 W	613 kWh	100W	876 kWh
Consumption with Leds	7 W	61 kWh	7 W	61 kWh
Energy saving		90%		93%

*Data based on the comparison between signal heads with incandescent lamps and signal heads with Starled2 led lamps, for illustrative purposes only.

DIMENSIONAL DRAWINGS



Lens Diameter	Number of Aspects	w	w2	h	h2	h3	h4	d	d2	d3	d4	d5	d6
200mm	1	265	/	245	385	245	70	185	195	445	/	/	/
	2				640	500							
	3				883	743							
300mm	1	365	/	345	495	355	70	185	275	525	/	/	/
	2				845	705							
	3				1185	1045							
300mm 200mm 200mm	3	365	265	345	983	843	70	185	275	525	185	195	445

All the dimensions are in mm.

